

GMX550 Compact Weather Station

The MaxiMet range of compact weather stations is designed and manufactured by Gill Instruments. MaxiMet products use reliable, high quality instruments to provide accurate meteorological information in a wide variety of applications.

GMX550 Features

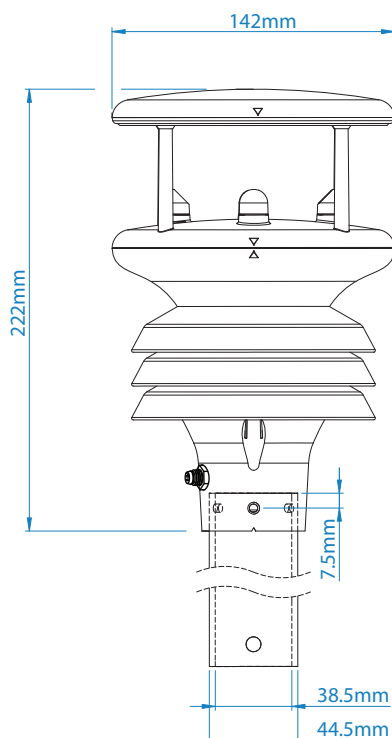
Temperature, humidity, pressure. A combined instrument mounted inside three double louvered, naturally aspirated radiation shields with no moving parts. The results are high performance across each measurement over long periods of time.

Wind. Wind speed and direction measurements are provided via an ultrasonic sensor and the addition of an electronic compass provides apparent wind measurements. Average speed and direction together with WMO averages and gust data is also provided. Add GPS (optional) to provide true wind and other features.

Precipitation. An integrated side connector allows users to connect any tipping bucket rain gauge. The measurements are included in the output data string.



| TEMP, HUMIDITY & PRESSURE | WIND | GPS (OPTION) | PARAMETERS |
|--|--|--|---|
| <ul style="list-style-type: none"> Air Pressure / Temperature Relative / Absolute humidity Naturally aspirated UV stable radiation shield Protection against wind-blown precipitation/dust | <ul style="list-style-type: none"> Wind speed & direction Apparent and true wind (with GPS) WMO wind averages and gust Compass | <ul style="list-style-type: none"> Height above sea level <i>m</i> Sunrise/sunset Position of the sun Solar Noon Twilight MSL pressure | <ul style="list-style-type: none"> Temperature °C / °F / °K Relative humidity % Rh Barometric pressure hPa, mbar, mm Hg, In Hg Wet bulb temperature °C / °F / °K Absolute humidity g/m³ Air density kg/m³ Wind speed <i>m/s, km/hr, mph, kts, ft/min</i> Wind direction ° Wind chill °C / °F / °K True/apparent wind Precipitation <i>mm/hr, mm/total, in/hr, in/total</i> Angle of Tilt Outputs <i>RS232, 422, 485 (ASCII), SDI-12, NMEA, MODBUS, Analogue (option)</i> |
| | | PRECIPITATION (INPUT) | <ul style="list-style-type: none"> Ready for customer supplied custom tip rain gauge via connector |



All MaxiMet Models Feature

- Quality Measurements
- Lightweight and Robust
- Low Power Mode
- Free of Charge Software
- Gill Proven Reliability
- Compact Integrated Design
- Real Time Output
- Easy Installation
- Gill Customer Support
- 2 Year Warranty

* Please see the manual for a full list of derived parameters

Applications

- Building and Industrial Controls
- Authorities
- Transport
- Coastal
- Agricultural
- Safety
- Educational
- Commercial
- Energy

| WIND SPEED | |
|--------------------|-----------------------------------|
| Range | 0.01 m/s to 60 m/s |
| Accuracy | ± 3% to 40 m/s, ± 5% to 60 m/s |
| Resolution m/s | 0.01 |
| Starting Threshold | 0.01 m/s |
| Sampling Rate | 1 Hz |
| Units | m/s, km/hr, mph, kts, ft/min |

| WIND DIRECTION | |
|--------------------|----------------------------------|
| Range | 0-359° |
| Accuracy | ± 3° to 40 m/s ± 5° to 60 m/s |
| Resolution | 1° |
| Starting Threshold | 0.01 m/s |
| Sampling Rate | 1 Hz |
| Units | Degrees |

| TEMPERATURE | |
|---------------|----------------|
| Range | -40°C to +70°C |
| Resolution | 0.1 |
| Accuracy | ± 0.3°C @ 20°C |
| Sampling Rate | 1 Hz |
| Units | °C, °F, °K |

| HUMIDITY | |
|---------------|--------------------------|
| Range | 0-100% |
| Resolution | 1% |
| Accuracy | ± 2% @ 20°C (10%-90% RH) |
| Sampling Rate | 1 Hz |
| Units | % Rh, g/m ³ |

| DEW POINT | |
|---------------|----------------|
| Range | -40°C to +70°C |
| Resolution | 0.1 |
| Accuracy | ± 0.3°C @ 20°C |
| Units | °C, °F, °K |
| Sampling Rate | 1 Hz |

| PRESSURE | |
|---------------|-----------------------|
| Range | 300 to 1100 hpa |
| Resolution | 0.1 hPa |
| Accuracy | ± 0.5 hPa @ 25°C |
| Sampling Rate | 1 Hz |
| Units | hPa, mbar, mmHg, inHg |

| PRECIPITATION (Input) | |
|--------------------------|--|
| Measurement input type | TBRG |
| Range | 0-1000 mm/hr |
| Precipitation Resolution | From 0.001 mm |
| Units | mm/hr, mm/total, in/hr, in/total |
| Input to GMX | Contact closure via an M8 male 4-Pin connector Optional 20m cable or mating female connector required |

| OUTPUTS | |
|---------------------|---|
| Output rate | 1/s, 1/min, 1/hr |
| Digital Comms Modes | Serial RS232, RS422, RS485, SDI-12, NMEA, MODBUS, ASCII |
| Analogue Outputs | Available via separate optional device |

| POWER | |
|------------------------|---|
| Power Supply | 5 to 30 Vdc |
| Power (Nominal) 12 Vdc | 25 mA continuous high mode. 0.7 mA eco-power mode (1 hour polled) |

| ENVIRONMENTAL CONDITIONS | |
|--------------------------------|---|
| IP Rating | 66 |
| Operational Temperature Range: | -40°C to +70°C |
| EMC Standard: | BS EN 61326-2-1:2013 FCC, CFR Title 47, Part 15, Subpart B, Class A digital device |
| CE Marking | YES |
| RoHS compliant | YES |
| Weight | 0.7 Kg |
| Origin | UK |

Specifications may be subject to change without prior notice



Gill Instruments Limited

Saltmarsh Park, 67 Gosport Street
Lymington, Hampshire SO41 9EG
United Kingdom

Tel: +44 (0) 1590 613 500
Fax: +44 (0) 1590 613 501

1957-020 Iss 5

Copyright © Gill Instruments 2019

Gill Instruments Limited, Reg No. 2281574
Registered Office: Towngate House, 2-8 Parkstone Road, Poole. BH15 2PW